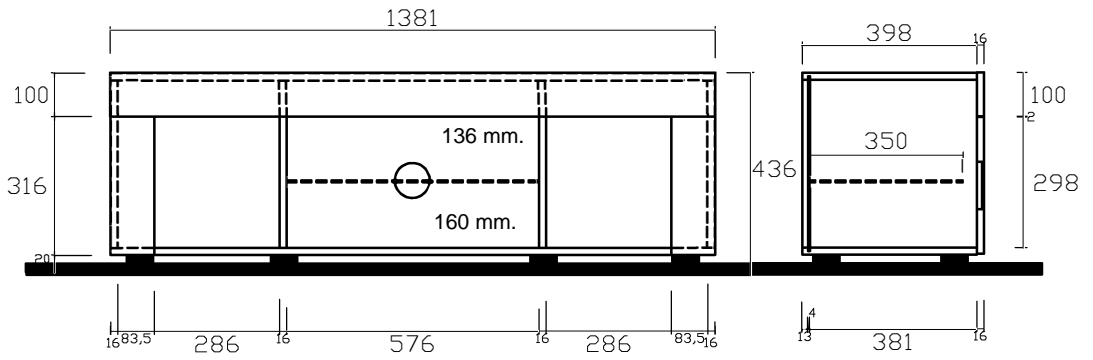
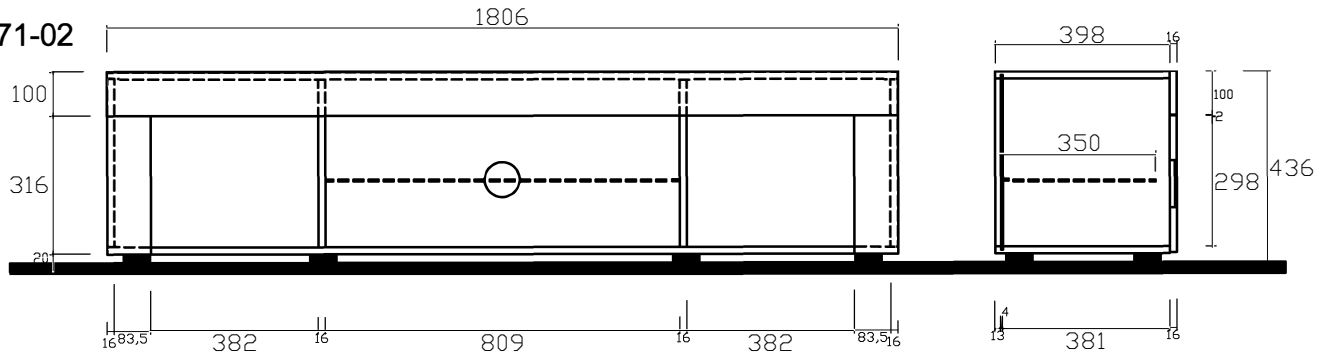


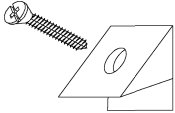

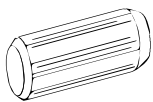
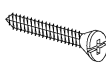
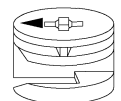

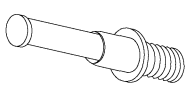
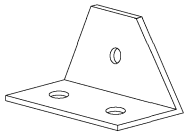
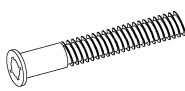
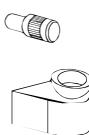
209071-01



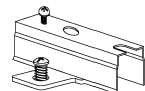
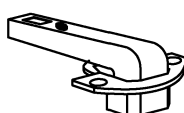
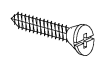
209071-02

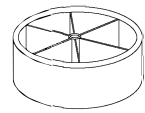


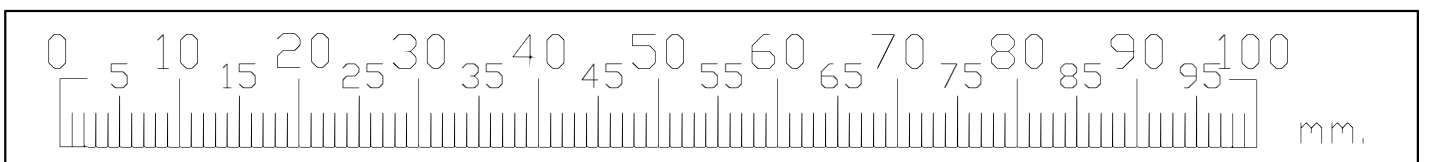
209071-02CF

- | | | | | |
|----------|---|--------------|---|------------|
| A |  | L4530 |  | x6 |
| | x12 | | 4.5x30 mm. | |
| B |  | L418 |  | x24 |
| | 8x30 mm. | | 4x18 mm. | |
| C |  | P1 |  | x2 |
| | ∅16 mm. | x8 | | |
| D |  | P7 |  | x8 |
| | x8 | | | |
| E |  | R1 |  | x4 |
| | 7x60 mm. | x8 | | |

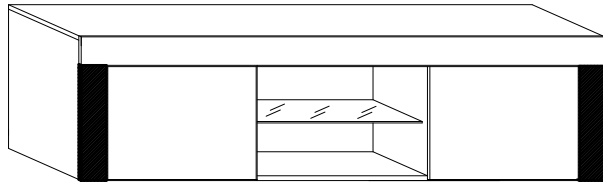
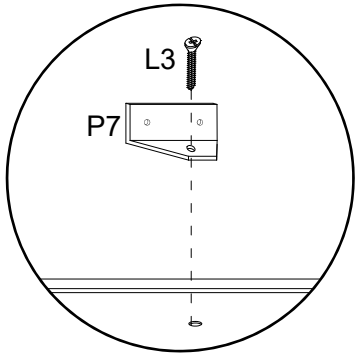
200505-08CC


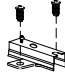
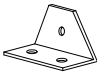
- | | | |
|------------|---|-----------|
| H4E |  | x4 |
| CC |  | x4 |
| L2 |  | x8 |
| | 4x16 mm. | |

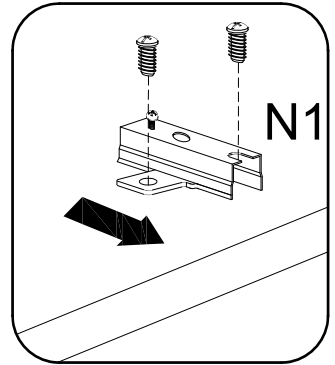
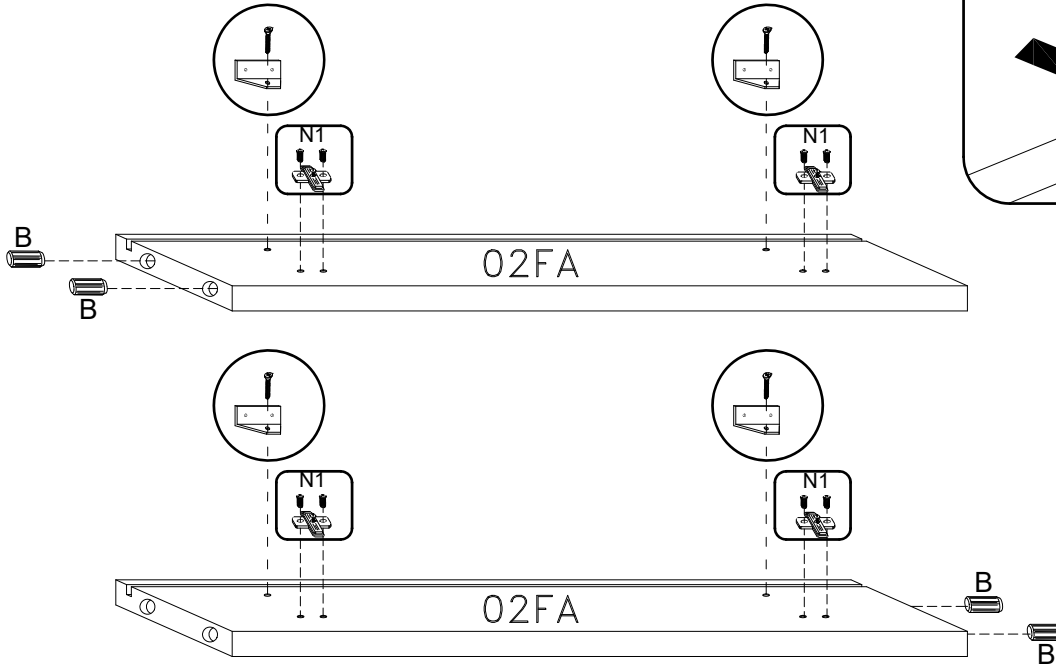
- | | | |
|------------|---|-----------|
| F21 |  | x6 |
| | ∅ 60 mm
h 20 mm | |



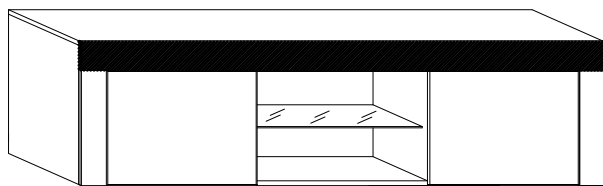
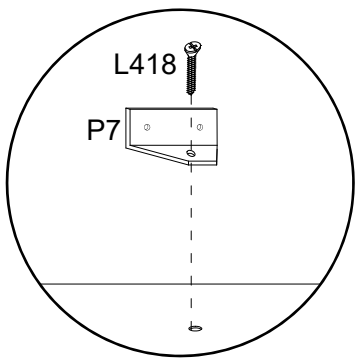
1





- L3  4x18 mm. x4
- N1  x4
- P7  x4



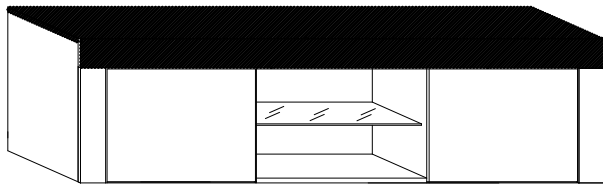
2



- L418  4x18 mm. x4
- P7  x4



3

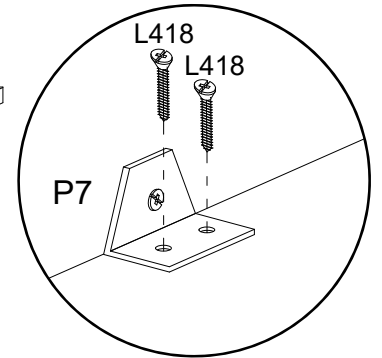
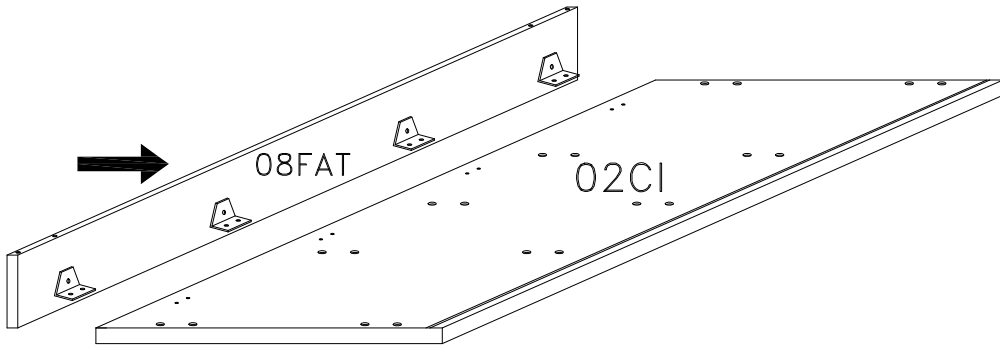
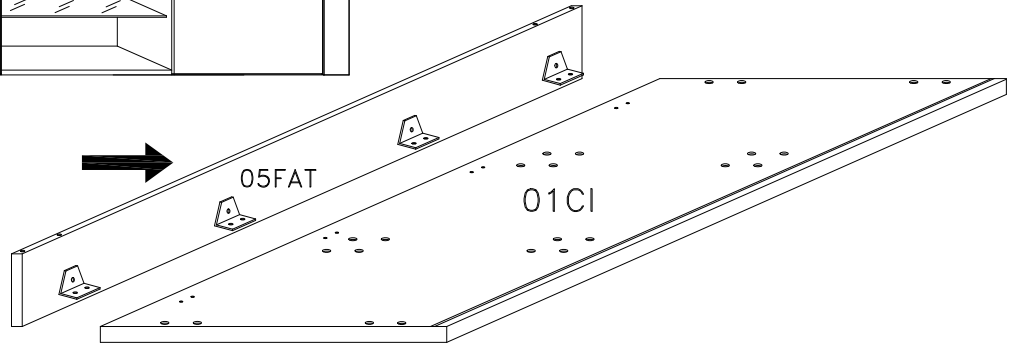


L418

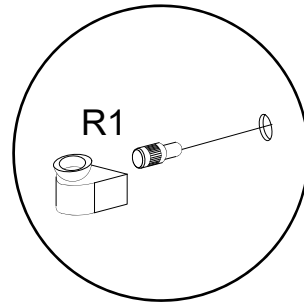
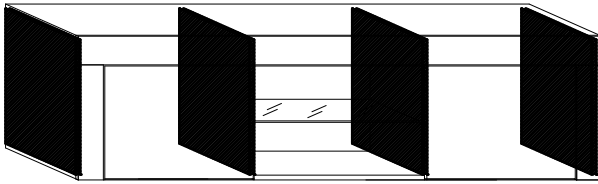


4x18 mm.

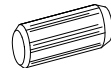
x4



4



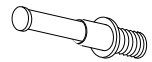
B



8x30 mm.

x16

D

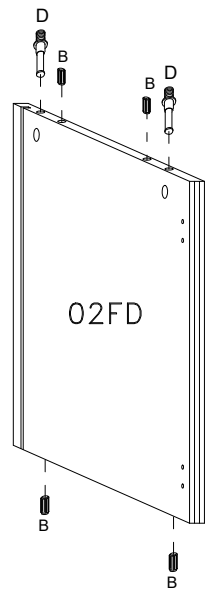
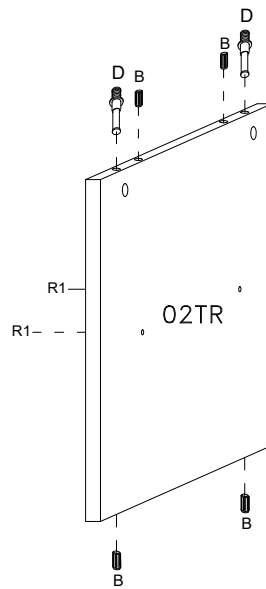
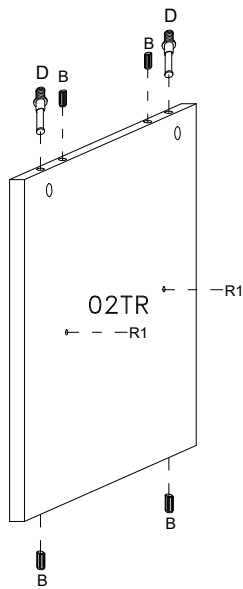
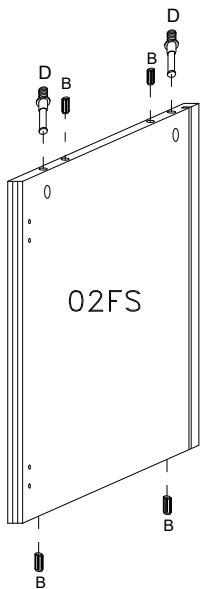
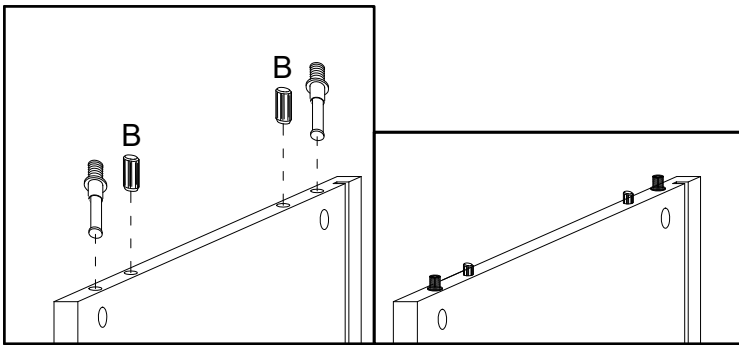


x8

R1

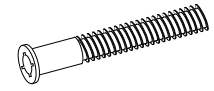


x4



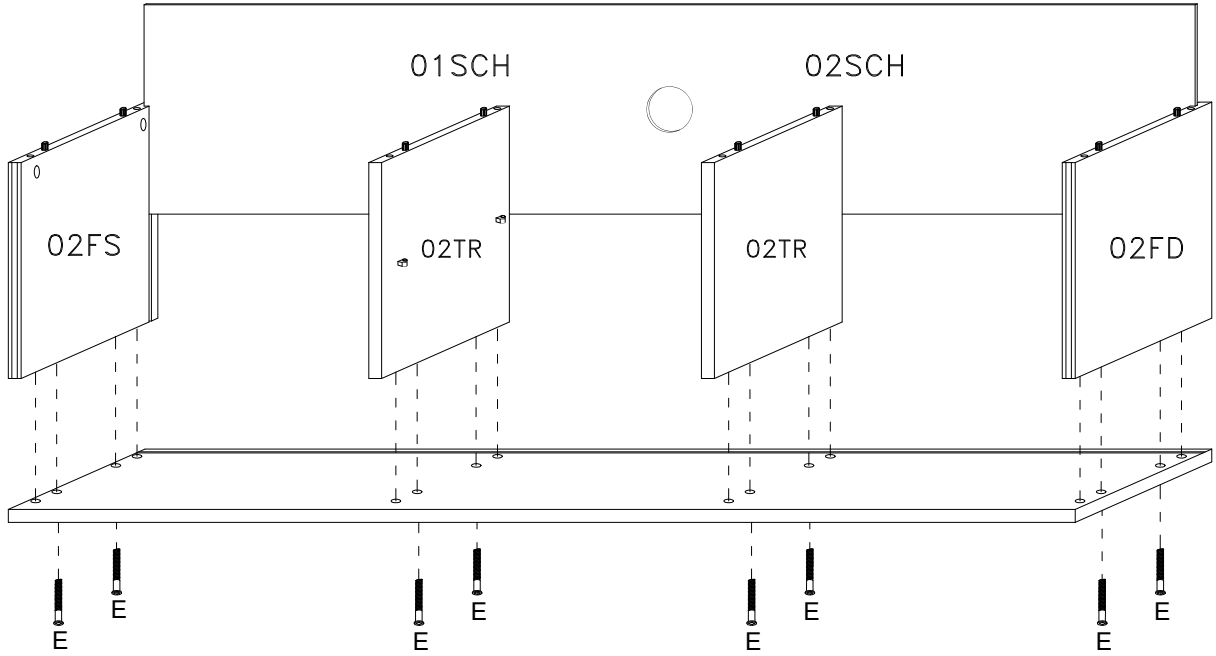
5

E

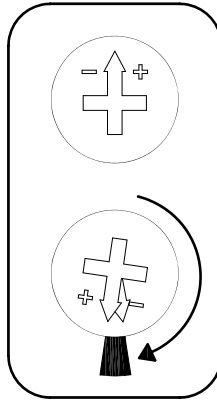
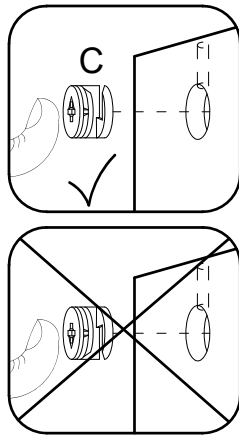
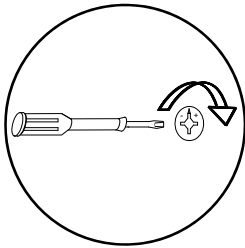


7x60 mm.

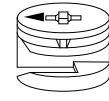
x8



6

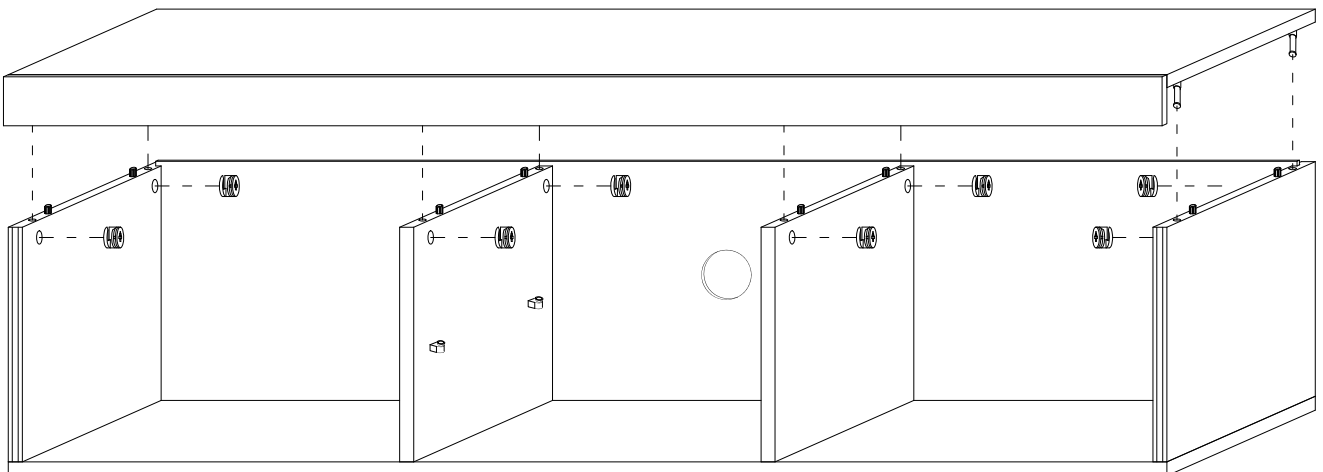


C



ø16 mm.

x8



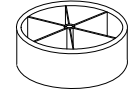
7

L4530



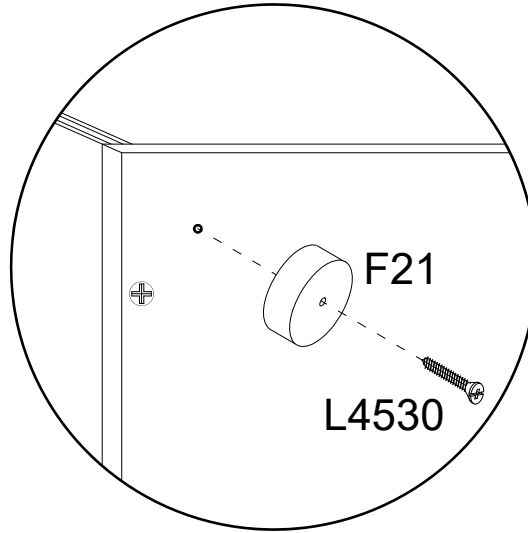
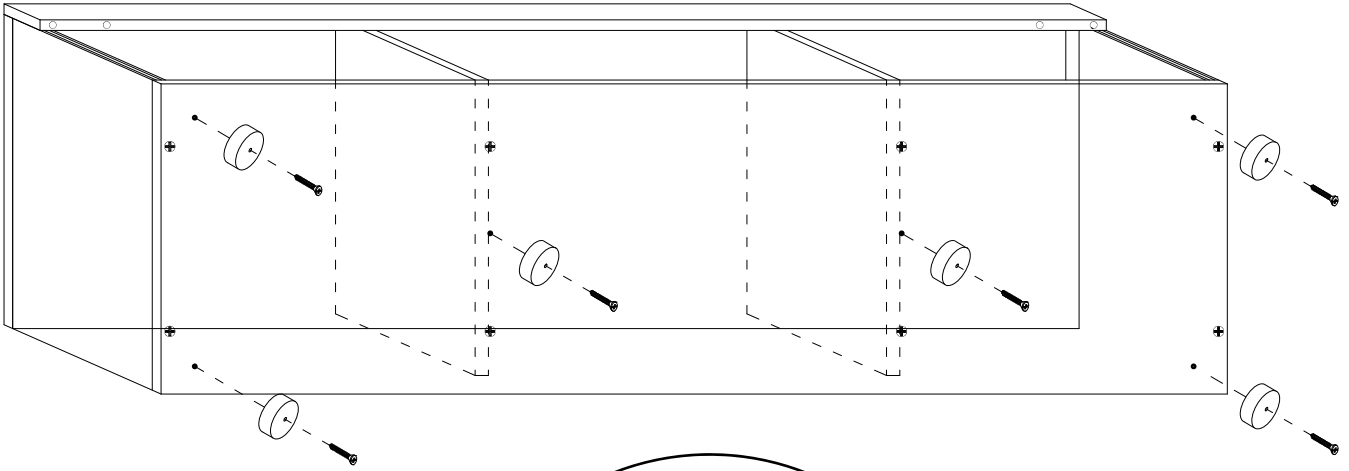
4.5x30 mm.

F21

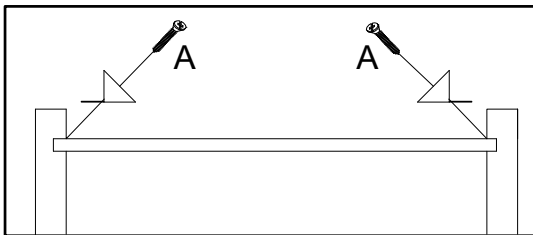


x6 Ø 60 mm
h 20 mm

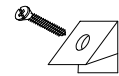
x6



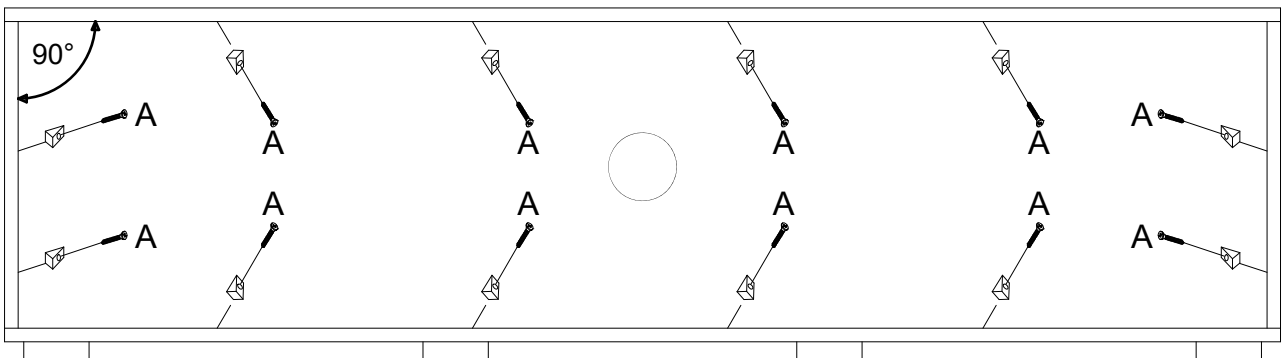
8



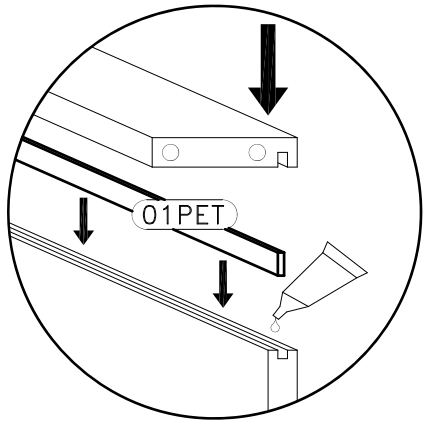
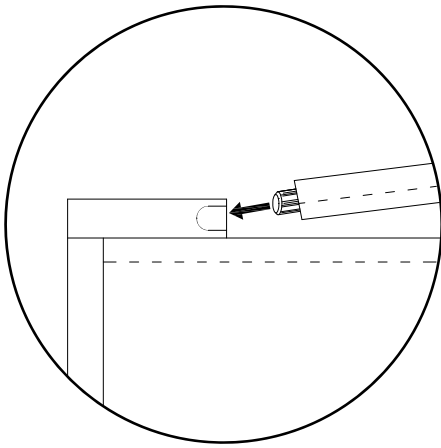
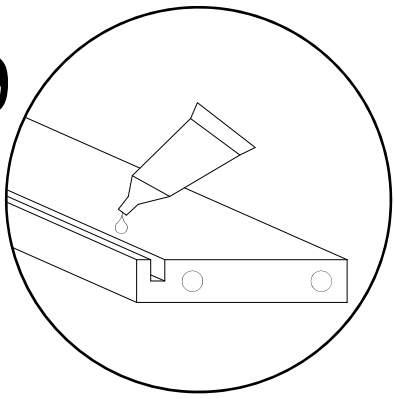
A



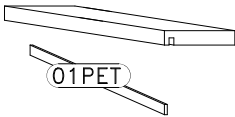
x12



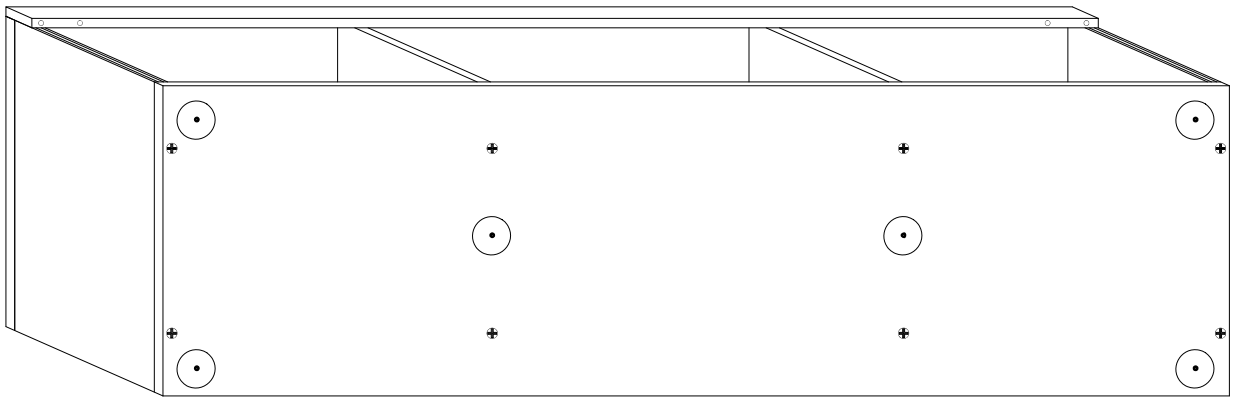
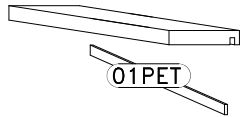
9



02FA



02FA



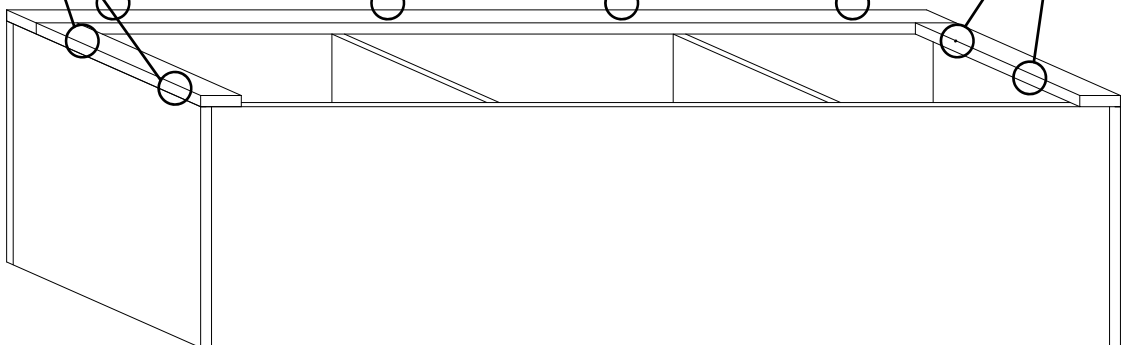
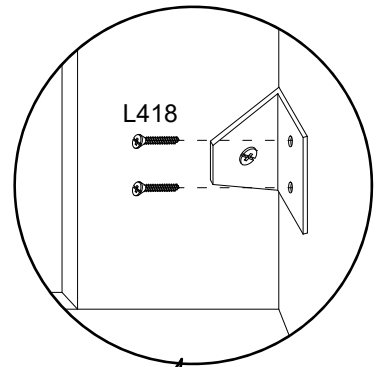
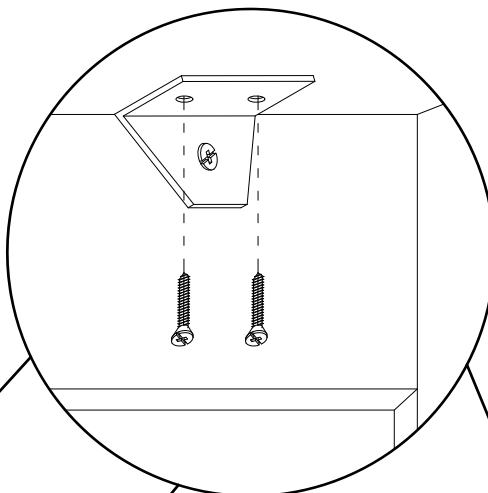
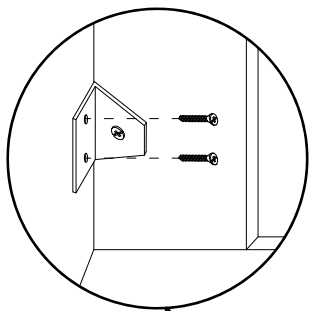
L418



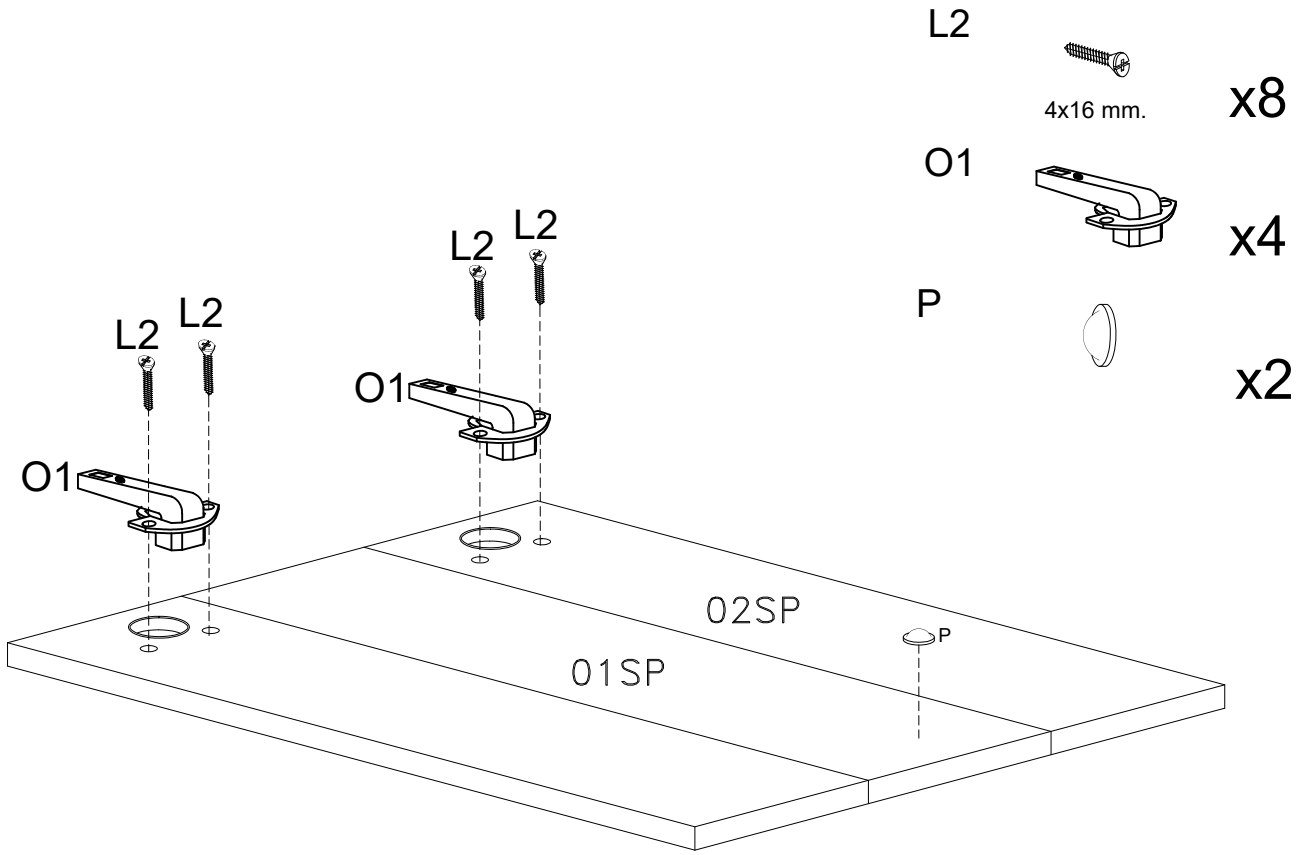
4x18 mm.

x16

10



11



12

